



OmegaOne

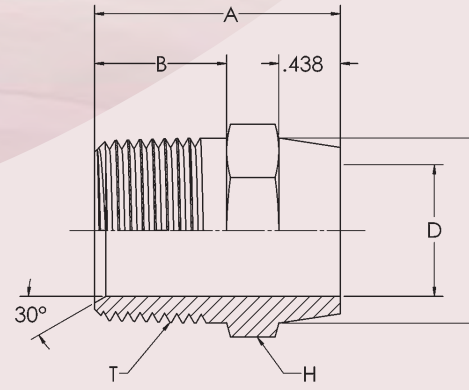
Fittings.
Made.
Easy.



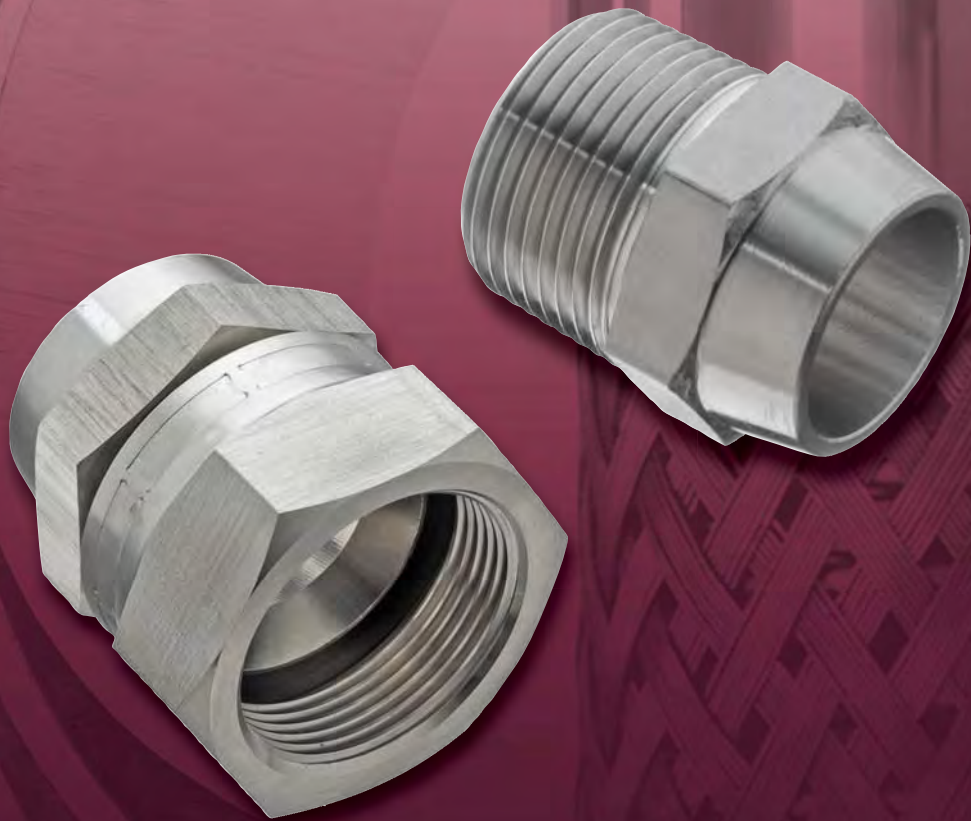
AMFM Braid Bands
Stainless Steel Tube
and Pipe Fittings



BHC



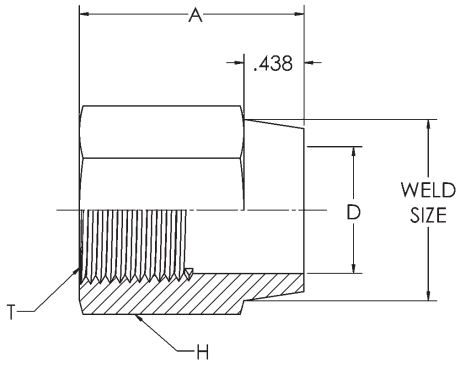
Weld Fittings



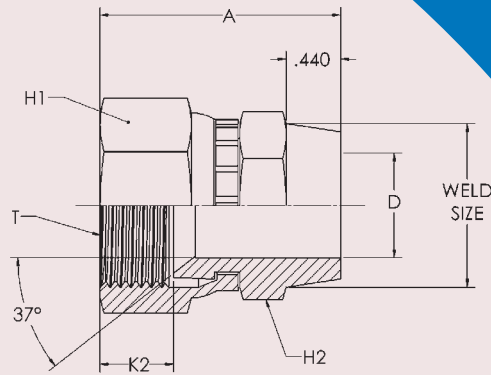
Call toll free:

800.333.2636

BHFC



BHJS



Weld Fittings



Weld End Fittings

Buttweld Hose Connector • Buttweld Hose End/Male Pipe End

BHC

PART #	Pipe Size T-Thread	Weld Size	A	B	D	H	Dynamic Pressure Rtg
BHC 1/4	1/4 x 18	1/4	1.19	.50	.25	9/16	4000
BHC 3/8	3/8 x 18	3/8	1.25	.57	.38	11/16	3500
BHC 1/2	1/2 x 14	1/2	1.44	.69	.50	7/8	3000
BHC 3/4	3/4 x 14	3/4	1.50	.76	.75	1-1/16	2500
BHC 1	1 x 11-1/2	1	1.69	.88	1.00	1-5/16	2000
BHC 1 1/4	1-1/4 x 11-1/2	1-1/4	1.94	.98	1.25	1-3/4	1250
BHC 1 1/2	1-1/2 x 11-1/2	1-1/2	2.13	1.01	1.50	2	1000
BHC 2	2 x 11-1/2	2	2.19	1.04	2.00	2-1/2	1000

Carbon Steel
304 SS
316 SS

Buttweld Hose Female Connector • Buttweld Hose End/Male Pipe End

BHFC

PART #	Pipe Size T-Thread	Weld Size	A	D	H	Dynamic Pressure Rtg
BHFC 1/4	1/4 - 18	1/4	1.25	.25	3/4	4000
BHFC 3/8	3/8 - 18	3/8	1.57	.38	7/8	3500
BHFC 1/2	1/2 - 14	1/2	1.63	.50	1-1/8	3000
BHFC 3/4	3/4 - 14	3/4	1.70	.75	1-3/8	2500

316 SS

Buttweld Hose JIC Swivel • Buttweld Hose End/Female JIC Swivel End

BHJS

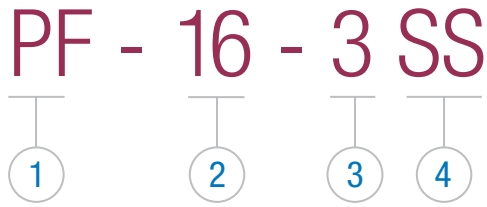
PART #	Tube Size	Tube End UN/ UNF-2A T-Thread	Weld Size	A	D	D1	K2	H1	H2	Dynamic Pressure Rtg
BHJS 1/4	1/4	7/16 x 20	1/4	1.32	.25	.17	.35	9/16	9/16	6000
BHJS 3/8	3/8	9/16 x 18	3/8	1.42	.38	.30	.38	11/16	11/16	5400
BHJS 1/2	1/2	3/4 x 16	1/2	1.43	.50	.39	.43	7/8	7/8	4800
BHJS 5/8	5/8	7/8-14	1/2	1.65	.63	.48	.50	1 1/16	7/8	4800
BHJS 3/4	3/4	1-1/16 x 12	3/4	1.66	.75	.61	.57	1-1/4	1-1/16	4200
BHJS 1	1	1-5/16 x 12	1	1.86	1.00	.84	.60	1-1/2	1-5/16	3000
BHJS 1 1/4	1-1/4	1-5/8 x 12	1-1/4	2.13	1.25	1.08	.63	2	1-3/4	3000
BHJS 1 1/2	1-1/2	1-7/8 x 12	1-1/2	2.23	1.50	1.31	.74	2-1/4	2	2400
BHJS 2	2	2-1/2 x 12	2	2.58	2.00	1.78	.94	2-7/8	2-1/2	1800

Carbon Steel
316 SS

Thread One End Pipe Fittings

Code	Fraction (Inches)
01	1/16
02	1/8
03	3/16
04	1/4
05	5/16
06	3/8
07	7/16
08	1/2
09	9/16
10	5/8
11	11/16
12	3/4
13	13/16
14	7/8
15	15/16
16	No fraction

Part Number Description



Pipe Fittings		Availability										
Material	PF Length	04	06	08	12	16	20	24	32	40	48	64
CS40	3 (1 1/2")	•	•	•	•							
	4 (2")			•	•	•	•	•	•			
	5 (2 1/2")							•	•	•	•	
	6 (3")	•	•	•	•	•	•	•	•	•	•	•
CS80	3 (1 1/2")											
	4 (2")			•	•	•	•	•	•			
	5 (2 1/2")							•	•			
	6 (3")			•	•	•	•	•	•			
SS40	3 (1 1/2")	•	•	•	•							
	4 (2")			•	•	•	•	•	•			
	5 (2 1/2")							•	•			

To accompany or band products AMFM Incorporated offers quality weld end components to complete your fabrication requirements.



- 1 **Product Code**
PF = Pipe Fitting
- 2 **Fitting Size**
04 = 1/4" 08 = 1/2" 16 = 1" 24 = 1 1/2" 48 = 3"
06 = 3/8" 12 = 3/4" 20 = 1 1/4" 32 = 2" 64 = 4"
- 3 **Fitting Length**
3 = 1 1/2" 4 = 2" 5 = 2 1/2" 6 = 3"
(Does NOT apply to Hex Male Fittings)
- 4 **Material Code**
CS40 = Carbon Steel / Schedule 40 SS = 304 Stainless Steel
CS80 = Carbon Steel / Schedule 80 ST = 316 Stainless Steel

Part Specifications

PF Carbon Steel Schedule 40

Size	Overall Length	O.D.	Wall	Threads Per Inch	Thread Length
1/4	1.500	0.540	0.088	18	0.5946
1/4	2.000	0.540	0.088	18	0.5946
1/4	3.000	0.540	0.088	18	0.5946
3/8	1.500	0.675	0.091	18	0.6006
3/8	2.000	0.675	0.091	18	0.6006
3/8	3.000	0.675	0.091	18	0.6006
1/2	1.500	0.840	0.109	14	0.7815
1/2	2.000	0.840	0.109	14	0.7815
1/2	3.000	0.840	0.190	14	0.7815
3/4	1.500	1.050	0.113	14	0.7935
3/4	2.000	1.050	0.113	14	0.7935
3/4	3.000	1.050	0.113	14	0.7935
1	2.000	1.315	0.133	11 1/2	0.9845
1	3.000	1.315	0.133	11 1/2	0.9845
1 1/4	2.000	1.660	0.140	11 1/2	1.0085
1 1/4	2.500	1.660	0.140	11 1/2	1.0085
1 1/4	3.000	1.660	0.140	11 1/2	1.0085
1 1/2	2.000	1.900	0.145	11 1/2	1.0085
1 1/2	2.500	1.900	0.145	11 1/2	1.0085
1 1/2	3.000	1.900	0.145	11 1/2	1.0252
2	2.000	2.375	0.154	11 1/2	1.0582
2	2.500	2.375	0.154	11 1/2	1.0582
2	3.000	2.375	0.154	11 1/2	1.0582
2 1/2	2.500	2.875	0.203	8	1.5712
2 1/2	3.000	2.875	0.203	8	1.5712
3	2.500	3.500	0.216	8	1.6337
3	3.000	3.500	0.216	8	1.6337
4	4.000	4.500	0.237	8	1.7337

PF Carbon Steel Schedule 80

Size	Overall Length	O.D.	Wall	Threads Per Inch	Thread Length
1/2	2.000	0.840	0.147	14	0.7815
1/2	3.000	0.840	0.147	14	0.7815
3/4	2.000	1.050	0.154	14	0.7935
3/4	3.000	1.050	0.154	14	0.7935
1	2.000	1.315	0.179	11 1/2	0.9845
1	3.000	1.315	0.179	11 1/2	0.9845
1 1/4	2.000	1.660	0.191	11 1/2	1.0085
1 1/4	3.000	1.660	0.191	11 1/2	1.0085
1 1/2	2.000	1.900	0.200	11 1/2	1.0085
1 1/2	2.500	1.900	0.200	11 1/2	1.0085
1 1/2	3.000	1.900	0.200	11 1/2	1.0085
2	2.000	2.375	0.218	11 1/2	1.0582
2	2.500	2.375	0.218	11 1/2	1.0582
2	3.000	2.375	0.218	11 1/2	1.0582
2 1/2	2.500	2.875	0.276	8	1.5712
2 1/2	3.000	2.875	0.276	8	1.5712
3	2.500	3.500	0.300	8	1.6337
3	3.000	3.500	0.300	8	1.6337
4	3.000	4.500	0.337	8	1.7337

Pipe Fitting 304 Stainless Steel Schedule 40

Size	Overall Length	O.D.	Wall	Threads Per Inch	Thread Length
1/4	1.500	0.540	0.088	18	0.5946
3/8	1.500	0.675	0.091	18	0.6006
1/2	1.500	0.840	0.109	14	0.7815
1/2	2.000	0.840	0.109	14	0.7815
3/4	1.500	1.050	0.113	14	0.7935
3/4	2.000	1.050	0.113	14	0.7935
1	2.000	1.315	0.133	11 1/2	0.9845
1 1/4	2.000	1.660	0.140	11 1/2	1.0085
1 1/2	2.000	1.900	0.145	11 1/2	1.0252
1 1/2	2.500	1.900	0.145	11 1/2	1.0252
2	2.500	2.375	0.154	11 1/2	1.0582

Slot End Fittings

Code	Fraction (Inches)
01	1/16
02	1/8
03	3/16
04	1/4
05	5/16
06	3/8
07	7/16
08	1/2
09	9/16
10	5/8
11	11/16
12	3/4
13	13/16
14	7/8
15	15/16
16	No fraction

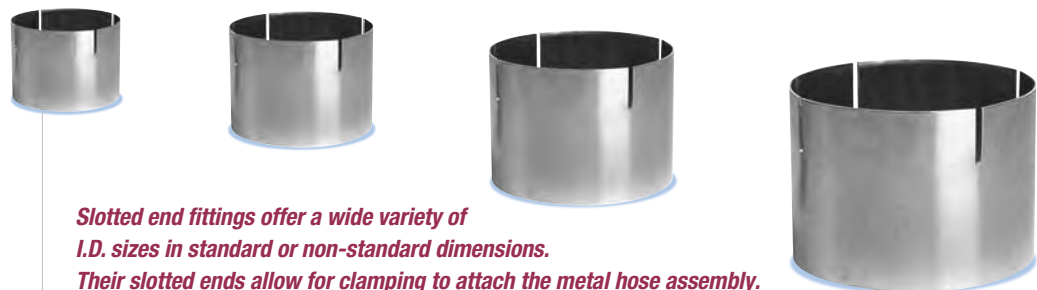
Part Number Description

S 4 - 200 - S 08 SS



Slotted End Specifications

Feature	Detail	2" I.D. and Lower	2 1/2" I.D. and Above
Material	Standard weight 304 SS	304 Stainless Steel	
Wall	Wall thickness is based on standard material for standard applications.	Nominal (.049)	
O.D.	This is a reference size resulting from the manufactured ID and wall thickness. Any part sizing by this dimension must result from customer specification using custom specification.	A reference dimension, unless requested using a custom specification.	
I.D. Fit Size	Parts are sized to fit over the mating fitting. Parts are manufactured to the plus tolerance of the specified size. Slotted Ends are designed to reduce ID from external clamp onto mating part.	Manufactured +/- 1/32" tolerance. Closer tolerance in standard and custom available.	Manufactured + 1/16" tolerance. Sizing increments specified in 1/16" to 1/8" increments.
Slots	SW Slot Width	Slots are available in standard configuration	
	SD Slot Depth	Standard 1/8" width (+/- 1/32")	Standard 1/8" width (+/- 1/32")
	SS Slot Spacing	1/2" standard through 2" (+/- 1/64")	7/8" standard above 2" (+/- 1/64")
Length	Slots are spaced based on the number of slots specified allowing for spacing in equal increments. This also is in response to the required amount of typical ID reduction.	2 slots standard equal 180 degree spacing.	4 slots standard equal 90 degree spacing
		Part length specified to accommodate interface of the mating fitting with slotted end, with non-slotted portion to accommodate attachment and required transition length.	Smaller diameters usually require shorter lengths with parts in this range not available in lengths over 6". See standard profiles (+/- 1/8")



Slotted end fittings offer a wide variety of I.D. sizes in standard or non-standard dimensions. Their slotted ends allow for clamping to attach the metal hose assembly.

Slotted End



- 1 **Product Code**
S = Slotted End SC = Custom Slotted End
- 2 **Slot Info**
2 = 2 slots/std. 4 = 4 slots/std.
- 3 **Part ID**
First digit = Whole inch Second/third digits = fractional designation
(See code to left)
- 4 **Material Weight** S = Standard
- 5 **Length** Length inches
- 6 **Material type** SS = 304 Stainless Steel

Standard Profile

Part Number	Standard I.D.	Availability			
		3"	4"	6"	Above 6"
S4-201-S (length) SS	2 1/16" (2.063")	•	•		
S4-209-S (length) SS	2 9/16" (2.563")	•			
S4-301-S (length) SS	3 1/16" (3.063")	•			•
S4-309-S (length) SS	3 9/16" (3.563")	•	•	•	•
S4-401-S (length) SS	4 1/16" (4.063")	•	•		•
S4-409-S (length) SS	4 9/16" (4.563")	•			•
S4-501-S (length) SS	5 1/26" (5.063")	•			•
S4-601-S (length) SS	6 1/16" (6.063")	•		•	•

Custom Configuration

Feature	Detail	2" I.D. and Lower	2 1/2" I.D. and Above
Material	Standard weight 304 SS	304 Stainless Steel	
Wall	As in material listing, (currently) standard weight material.	Nominal (.049)	
I.D.	Select ID based on diameter the slotted end is made to fit over. Slotted Ends can be supplied in a single ID only, multiple size units not available.	.030" to .050" over mating diameter	1/16"+ over mating diameter
Slots	<ul style="list-style-type: none"> Standard slot width (SW) (1/8") is typical, depending on application. Slot depth (SD) should consider the overlap of mating part and clamping configuration (also see length). Slots spacing (SS) based on ID of fitting, with each two slots allowing .080 of reduction (see ID). Odd amounts not recommended. 	Below 2" ID, two slots recommended	Use standard slots where possible, consult factory on variations.
Length	Overall length of the unit is determined length requirement of the fitting. Consider slots and attachment to flexible hose application and installation requirements.	Maximum length of 6" or less.	As required to 12".

Consult factory to evaluate your requirements.
AMFM Incorporated can stock slotted ends manufactured to custom specification



OmegaOne

P 800.333.2636

F 888.900.1615

38373 Pelton Road
Willoughby, OH 44094

sales@Omega1.com

www.Omega1.com



Made in the USA



MEMBER
THE ASSOCIATION FOR HOSE AND
ACCESSORIES DISTRIBUTION