

New LGU35 series

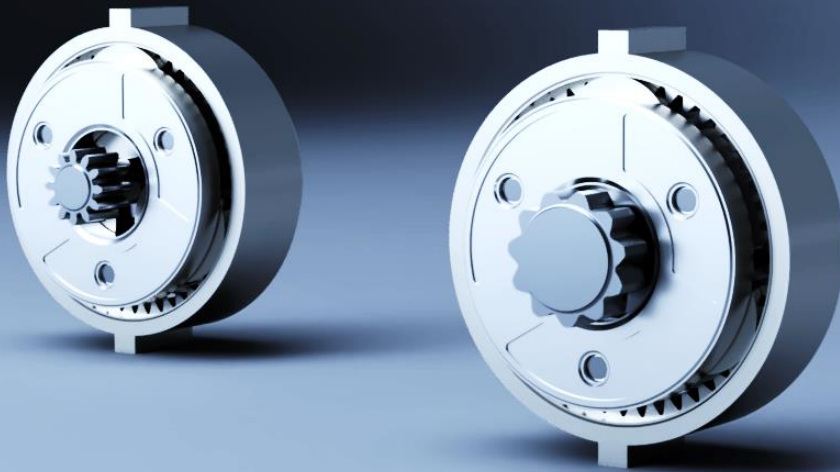
Matex
マテックス株式会社

Planetary Gear Module ϕ 35mm

NEW

New LGU35 models are unveiled.

Best fit to small yet high torque applications



■ LGU35-M7 series (Processed Metal Gear)

A processed metal gear type is newly introduced.
2x higher output torque than the conventional models.

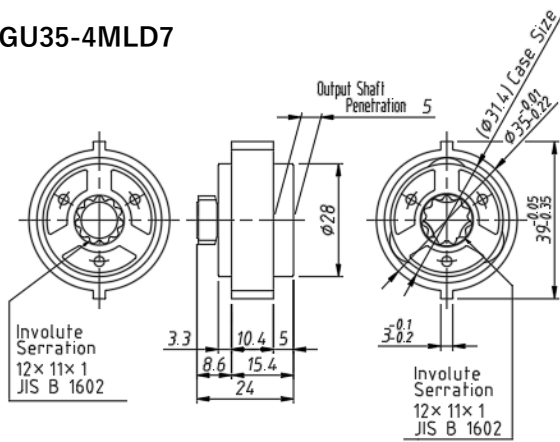
■ LGU35-S7-A series (Sintered Metal Gear)

Improved Endurance from the existing LGU35-S7 series.

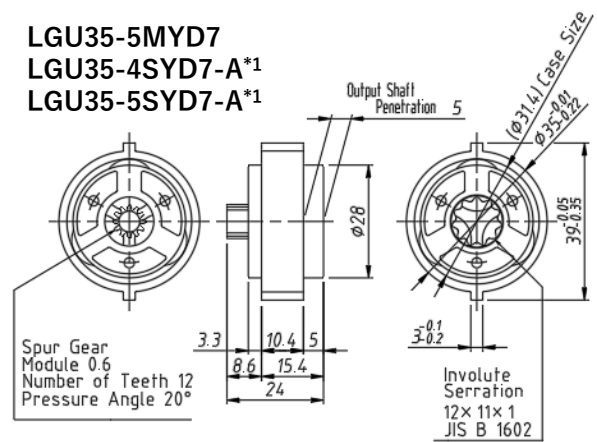
Product Lineup · Dimensions

※Dimensions and/or Specifications might be modified without any prior notice.

LGU35-4MLD7



LGU35-5MYD7 LGU35-4SYD7-A*1 LGU35-5SYD7-A*1



*1 The mounting shape is equivalent to the existing S7 series yet, The shape of carrier A/B and the weight are slightly changed.

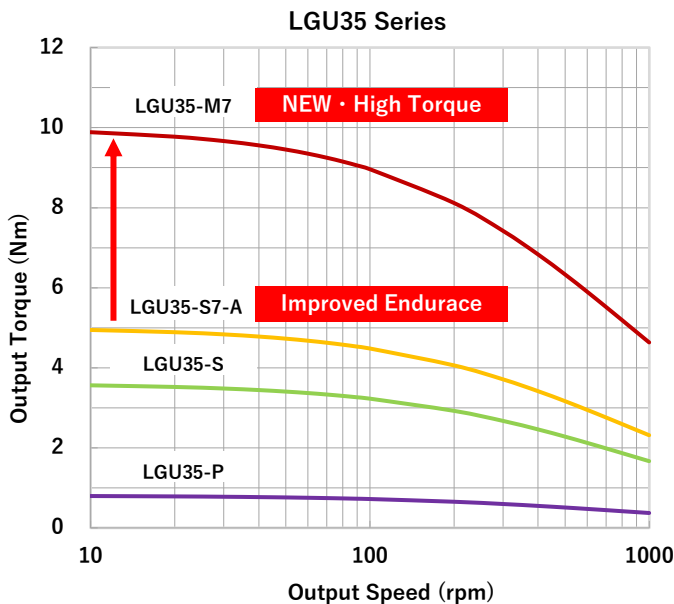
NEW LGU35series

※Please contact us for detailed information.

		4MLD7	5MYD7	4SYD7-A	5SYD7-A
Outer Diameter	mm	φ35		φ35	
Actual Reduction Ratio		3.667	5	3.667	5
Maximum Torque	Nm	10	10	5.0	5.0
Input Shape		Serration Shaft	Spur Gear Shaft	Spur Gear Shaft	Spur Gear Shaft
Output Shape		Serration Hole	Serration Hole	Serration Hole	Serration Hole
Weight*2	g	85	85	79	82

*2 Simulated value. This value might be modified after measuring a real model.

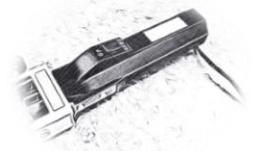
Torque Curve



Application Examples



Drive Unit of Powered Shutter



Handy Tool



Drive Unit of Assist Suits



Automatic Door of Industrial Machine

Matex
マテックス株式会社

1-125, Mizukoshi, Yao City, Osaka Pref,
Postal code581-0856 Japan
TEL +81-72-941-8652 FAX +81-72-941-8820
Mail info@matex-japan.com



<https://www.matex-japan.com/e/index.html>

Rev. No.2021-03