

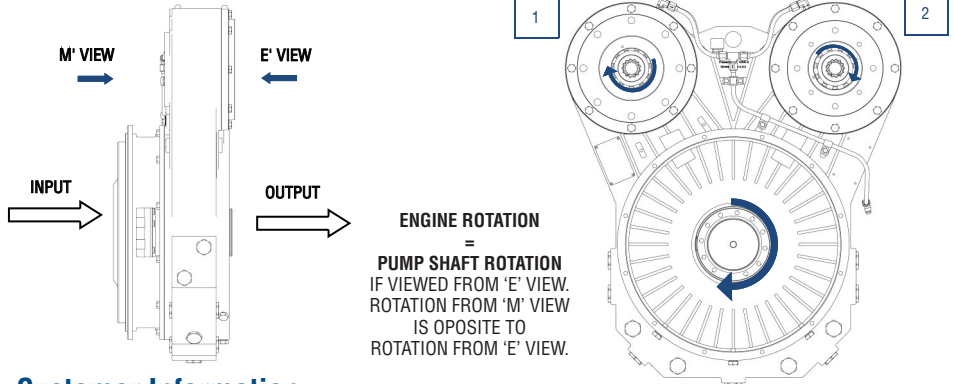
Application Fact Sheet - Logan Clutch FlexaDrive™ LFD 1000-2

1E • PTO/PTI:		
Hydraulic Pump		
Brand:	Model:	
GPM/LPM:	@	PSI/bar
Clutch		
Max.Torque:	lb.-ft. @	RPM
Hydraulic	Pneumatic	
PTO/PTI Input		
SAE Flange Mount:	Two Bolts:	Four Bolts:
SAE Output Spline/Bore&Key:		
Other:		

2E • PTO/PTI:		
Hydraulic Pump		
Brand:	Model:	
GPM/LPM:	@	PSI/bar
Clutch		
Max.Torque:	lb.-ft. @	RPM
Hydraulic	Pneumatic	
PTO/PTI Input		
SAE Flange Mount:	Two Bolts:	Four Bolts:
SAE Output Spline/Bore&Key:		
Other:		

1M • PTO/PTI:		
Hydraulic Pump		
Brand:	Model:	
GPM/LPM:	@	PSI/bar
Clutch		
Max.Torque:	lb.-ft. @	RPM
Hydraulic	Pneumatic	
PTO/PTI Input		
SAE Flange Mount:	Two Bolts:	Four Bolts:
SAE Output Spline/Bore&Key:		
Other:		

2M • PTO/PTI:		
Hydraulic Pump		
Brand:	Model:	
GPM/LPM:	@	PSI/bar
Clutch		
Max.Torque:	lb.-ft. @	RPM
Hydraulic	Pneumatic	
PTO/PTI Input		
SAE Flange Mount:	Two Bolts:	Four Bolts:
SAE Output Spline/Bore&Key:		
Other:		



Customer Information:

Company Name: _____
 Contact Name: _____
 Address: _____
 City/State/Zip: _____ Country: _____
 Phone: _____ Fax: _____
 E-mail: _____

Engine: Main _____ Auxiliary _____
 Engine Brand: _____
 Engine Model: _____
 Engine Rotation: _____ Clockwise _____ Counter-Clockwise _____
 Max.Power Rating: _____ HP/kW @ _____ RPM
 Max.Torque: _____ lb.-ft. / Nm @ _____ RPM

Main Driven Unit:
 Clutch _____ Transmission _____ Pump _____
 Max.Torque: _____ @ _____ RPM

FlexaDrive™ Input:
 Back of the Engine Housing SAE _____ Engine Flywheel SAE _____ Other: _____
 Front of the Engine - Provide Crank Shaft Flange Details _____
 Stand-Alone Application - Provide Shaft Flange Details _____
 Torsional Coupling Required Yes No Operating Ambient Temp _____ °F / °C

FlexaDrive Output: Engine Flywheel SAE _____ Other: _____
Certification Required: ABS _____ DNV _____ Other: _____

Oil Cooling and Lubrication Components if supplied by Logan Clutch
 Heat Exchanger or Cooler: Gear Pump: Oil Filter:

Pump Drive Ratios			
Engine Speed	Ratio	PTO/PTI Speed	Tower
	1:1		
	1:1.25		

Actuation Pressure: A fixed orifice pressure regulating valve must be specified in the system to prevent over or under-pressurization of any Logan Clutch PTO. The Logan warranty does not cover clutch failure due to over or under-pressurization. The highest pressure values on Logan Sales Drawings are maximum ratings for Logan Clutches.

Torsional Damping Devices for Logan Products: Torsional compatibility tests rest solely with the OEM, Distributor, and End user. Logan accepts no liability for premature failure of Logan products due to Torsional Vibration or Vibratory Torque. It is the buyer's responsibility to specify this option, which can result in additional cost and increase in installation length. Logan will not accept any liability for personal injury, loss of life, damage or loss of property due to the failure of the buyer or installer to properly apply or install Logan products.

Logan Clutch Corporation reserves the right to modify product specifications and designs without notice and without incurring obligations. Torque values are based upon either wet disc packs or dry disc packs, with full contact between surfaces, depending upon the product or application. All rotating components present a potentially hazardous condition and should be guarded in accordance with OSHA requirements and other applicable laws, regulations and industrial standards. See Logan Terms and Conditions for more detail.

Notes: _____

CUSTOMER ACCEPTANCE:
 I agree that the stated specification accurately and fully describes the vehicle or system for which a Logan product is being considered.

Name: _____ Signature: _____ Date Submitted: _____ Revision Level: _____