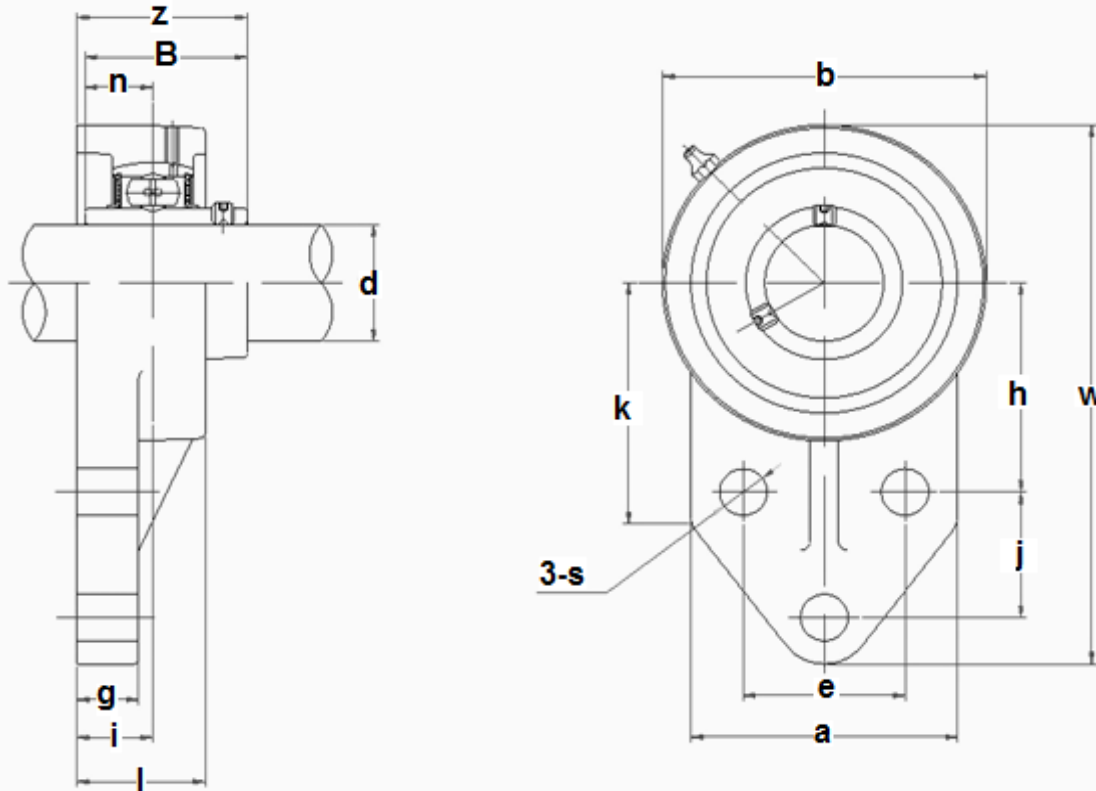


HMS INDUSTRIES

3-BOLT FLANGE BRACKET - SET SCREW TYPE

UCFB200-SERIES (SS- prefix represents a stainless steel unit)



HMS Unit No.	Dimensions ^{mm} _{in.}														Bolt Size ^{mm} _{in.}	Bearings No.	Housing No.	Weight(kg)
	d	w	h	e	j	i	b	a	g	l	s	Z	B	n				
UCFB201	12	108	42.9	38.1	22.2	15.9	63.5	60.3	8	25.4	9.9	34.2	31	12.7	M8	UC201	SFB204	0.60
UCFB201-8	1/2	4-1/4	1-11/16	1-1/2	7/8	5/8	2-1/2	2-3/8	5/16	1	25/64	1.35	1.2205	0.500	5/16	UC201-8		0.59
UCFB202	15															UC202	SFB204	0.59
UCFB202-9	9/16	108	42.9	38.1	22.2	15.9	63.5	60.3	8	25.4	9.9	34.2	31	M8	UC202-9			
UCFB202-10	5/8	4-1/4	1-11/16	1-1/2	7/8	5/8	2-1/2	2-3/8	5/16	1	25/64	1.35	1.2205	0.500	5/16	UC202-10		

UCFB203	17	108	42.9	38.1	22.2	15.9	63.5	60.3	8	25.4	9.9	34.2	31	12.7	M8	UC203	SFB204	0.58
UCFB203-11	11/16	4-1/4	1-11/16	1-1/2	7/8	5/8	2-1/2	2-3/8	5/16	1	25/64	1.35	1.2205	0.500	5/16	UC203-11		0.57
UCFB204	20	108	42.9	38.1	22.2	15.9	63.5	60.3	8	25.4	9.9	34.2	31	12.7	M8	UC204	SFB204	0.56
UCFB204-12	3/4	4-1/4	1-11/16	1-1/2	7/8	5/8	2-1/2	2-3/8	5/16	1	25/64	1.35	1.2205	0.500	5/16	UC204-12		0.56
UCFB205	25															UC205	SFB205	0.80
UCFB205-13	13/16															UC205-13		0.84
UCFB205-14	7/8	120.7	46	41.3	28.6	16.7	69.9	63.5	9.5	27.2	9.9	36.4	34.1	14.3	M8	UC205-14		0.83
UCFB205-15	15/16	4-3/4	1-13/16	1-5/8	1-1/8	21/32	2-3/4	2-1/2	3/8	1-5/64	25/64	1.43	1.3425	0.563	5/16	UC205-15		0.81
UCFB205-16	1															UC205-16		0.80
UCFB206	30															UC206	SFB206	1.12
UCFB206-17	1-1/16															UC206-17		1.15
UCFB206-18	1-1/8	136.5	52.4	47.6	31.8	18.7	82.6	69.9	9.5	28.2	9.9	40.2	38.1	15.9	M8	UC206-18		1.14
UCFB206-19	1-3/16	5-3/8	2-1/16	1-7/8	1-1/4	47/64	3-1/4	2-3/4	3/8	1-7/64	25/64	1-19/32	1.500	0.626	5/16	UC206-19		1.12
UCFB206-20	1-1/4															UC206-20		1.11
UCFB207	35															UC207	SFB207	1.46
UCFB207-20	1-1/4															UC207-20		1.52
UCFB207-21	1-5/16	155.6	60.3	50.8	31.8	21	95.3	82.6	12.7	32	13.1	44.4	42.9	17.5	M12	UC207-21		1.49
UCFB207-22	1-3/8	6-1/8	2-3/8	2	1-1/4	53/64	3-3/4	3-1/4	1/2	1-1/4	33/64	1-3/4	1.6890	0.689	7/16	UC207-22		1.46
UCFB207-23	1-7/16															UC207-23		1.43
UCFB208	40															UC208	SFB208	1.84
UCFB208-24	1-1/2	164.3	60.3	50	41.3	21	100	77.8	15.9	35.7	11.9	51.2	49.2	19	M10	UC208-24		1.88
UCFB208-25	1-9/16	6-15/32	2-3/8	1-31/32	1-5/8	53/64	3-15/16	3-1/16	5/8	1-13/32	15/32	2-1/64	1.9370	0.748	3/8	UC208-25		1.85
UCFB209	45															UC209	SFB209	2.15
UCFB209-26	1-5/8	173.9	65.1	54	42.9	21	106.4	80.2	18.3	38	11.9	52.2	49.2	19	M10	UC209-26		2.25
UCFB209-27	1-11/16	6-27/32	2-9/16	2-1/8	1-11/16	53/64	4-3/16	3-5/32	23/32	1-1/2	15/32	2-1/16	1.9370	0.748	3/8	UC209-27		2.21
UCFB209-28	1-3/4															UC209-28		2.17
UCFB210	50															UC210	SFB210	2.42
UCFB210-29	1-13/16															UC210-29		2.54
UCFB210-30	1-7/8	190.5	74.6	69.9	41.3	21	117.5	101.6	12.7	38	13.1	54.6	51.6	19	M12	UC210-30		2.49
UCFB210-31	1-15/16	7-1/2	2-15/16	2-3/4	1-5/8	53/64	4-5/8	4	1/2	1-1/2	33/64	2-5/32	2.0315	0.748	7/16	UC210-31		2.44
UCFB210-32	2															UC210-32		2.40

UCFB211	55																UC211		3.31
UCFB211-32	2																UC211-32		3.46
UCFB211-33	2-1/16	207	78	62	50	25	130	90	18	43	14	58.4	55.6	22.2	M12	UC211-33	SFB211	3.40	
UCFB211-34	2-1/8	8-5/32	3-5/64	2-7/16	1-31/32	63/64	5-1/8	3-35/64	45/64	1-11/16	35/64	1-5/16	2.1890	0.874	7/16	UC211-34		3.35	
UCFB211-35	2-3/16															UC211-35		3.29	
UCFB212	60																UC212		4.28
UCFB212-36	2-1/4																UC212-36		4.41
UCFB212-37	2-5/16	223	84	66	55	29	140	94	18	48	14	68.7	65.1	25.4	M12	UC212-37	SFB212	4.33	
UCFB212-38	2-3/8	8-25/32	3-5/16	2-19/32	2-11/64	1-9/64	5-1/2	3-45/64	45/64	1-57/64	35/64	2-45/64	2.5630	1.000	7/16	UC212-38		4.26	
UCFB212-39	2-7/16															UC212-39		4.19	
UCFB213	65																UC213		4.99
UCFB213-40	2-1/2	244	92	70	60	30	155	100	20	50	14	69.7	65.1	25.4	M12	UC213-40	SFB213	5.08	
UCFB213-41	2-9/16	9-39/64	3-5/8	2-3/4	2-23/64	1-3/16	6-7/64	3-15/16	25/32	1-31/32	35/64	2-3/4	2.5630	1.000	7/16	UC213-41		4.99	