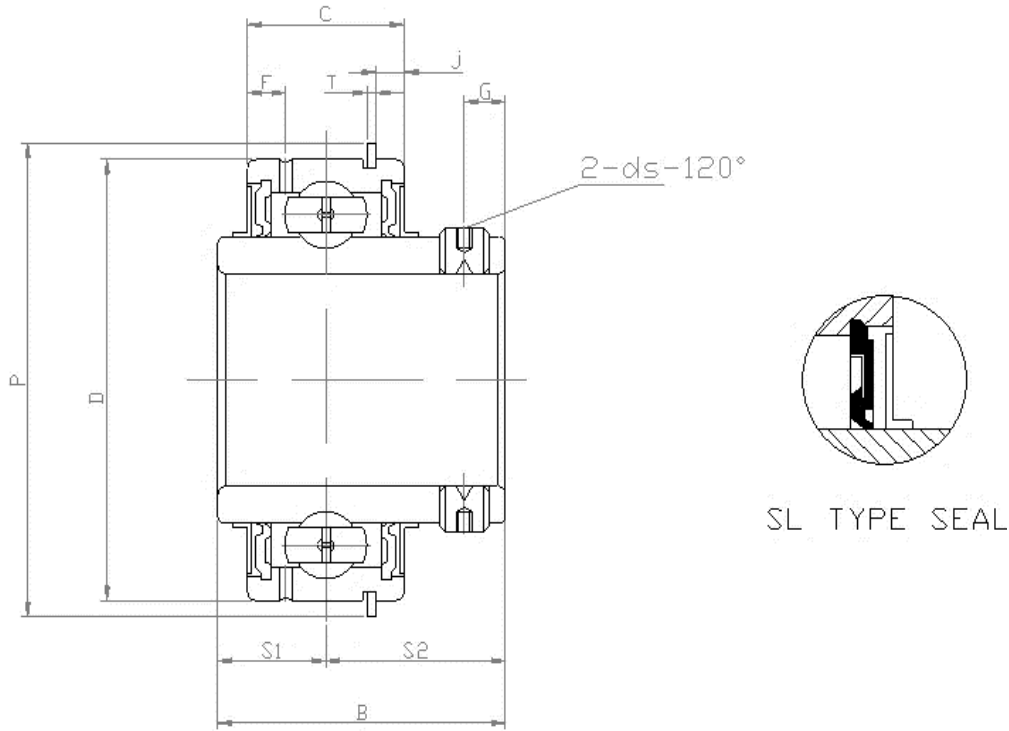


# HMS INDUSTRIES

## SER200-SERIES Set Screw Type - Snap Ring Series



HMS Bearing No.	Bore (in)	Diam (mm)	Dimensions <sup>in.</sup> <sub>mm</sub>										Dynamic Load Rating(N)	Static Load Ratings (N)	Weight (kg)	
			D	B	C	S1	T	F	J	P	G	ds				
SER201-8	1/2	12														
SER201																
SER202-10	5/8	15	1.8504	1.2205	0.6299	0.4882	0.0441	0.1417	0.9445	2.0748	0.189	1/4-28UNF M6X1	12800	6650	0.22	
SER202																
SER203-11	11/16	17	47	31	16	12.4	1.12	3.6	2.4	52.7	4.8					
SER203																
SER204-12	3/4	20														
SER204																

SER205-13	13/16															
SER205-14	7/8															
SER205-15	15/16		2.0472	1.3740	0.7480	0.5157	0.0441	0.2008	0.0963	2.280	0.197	1/4-28UNF	14000	7850	0.27	
SER205-16	1		52	34.9	19	13.1	1.12	5.1	2.4	57.9	5	M6X1				
SER205		25														
SER206-17	1-1/16															
SER206-18	1-1/8															
SER206-19	1-3/16		2.4409	1.5000	0.86614	0.626	0.067	0.220	0.1260	2.665	0.197	1/4-28UNF	19500	11300	0.39	
SER206-20	1-1/4		62	38.1	22	15.9	1.7	5.6	3.2	67.7	5	M6X1				
SER206		30														
SER207-20	1-1/4															
SER207-21	1-5/16															
SER207-22	1-3/8		2.8346	1.6890	0.9370	0.689	0.067	0.2165	0.129	3.094	0.2559	5/16-24UNF	25700	15300	0.63	
SER207-23	1-7/16		72	42.9	23.8	17.5	1.7	5.5	3.28	78.6	6.5	M8X1				
SER207		35														
SER208-24	1-1/2															
SER208-25	1-9/16		3.1496	1.9370	1.0945	0.748	0.067	0.252	0.129	3.409	0.315	5/16-24UNF	29500	18100	0.81	
SER208		40	80	49.2	27.8	19	1.7	6.4	3.28	86.6	8	M8X1				
SER209-26	1-5/8															
SER209-27	1-11/16		3.3465	1.9370	1.0945	0.748	0.067	0.252	0.129	3.606	0.315	5/16-24UNF	31600	20600	0.90	
SER209-28	1-3/4		85	49.2	27.8	19	1.7	6.4	3.28	91.6	8	M8X1				
SER209		45														
SER210-29	1-13/16															
SER210-30	1-7/8															
SER210-31	1-15/16		3.5433	2.0315	1.1260	0.748	0.097	0.295	0.129	3.799	0.394	3/8-24UNF	35000	23200	0.98	
SER210-32	2		90	51.6	28.6	19	2.46	7.5	3.28	96.5	10	M10X1				
SER210		50														
SER211-32	2															
SER211-33	2-1/16															
SER211-34	2-1/8		3.9370	2.1890	1.1890	0.874	0.097	0.295	0.129	4.193	0.394	7/16-24UNF	43500	29200	1.40	
SER211-35	2-3/16		100	55.6	30.2	22.2	2.46	7.5	3.28	106.5	10	M10X1.25				
SER211		55														
SER212-36	2-1/4															
SER212-37	2-5/16															
SER212-38	2-3/8		4.3307	2.5630	1.2520	1.0000	0.097	0.297	0.129	4.591	0.394	7/16-24UNF	47700	32900	1.89	
SER212-39	2-7/16		110	65.1	31.8	25.4	2.46	7.5	3.28	116.6	10	M10X1.25				
SER212		60														