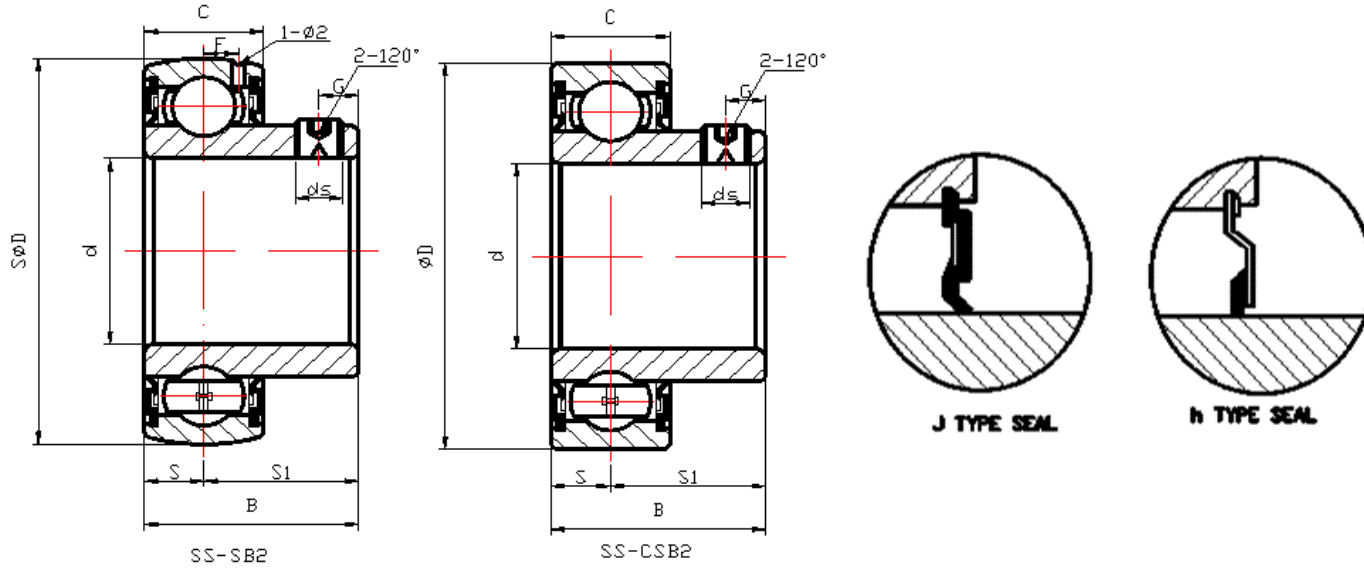


**SB200-SERIES**  
**CSB200-SERIES**      **Set Screw Type - Light Duty**



HMS Bearing No.		Bore Dia.		Dimensions(in)or(mm)							Dynamic Load Rating (N)	Static Load Rating (N)	Weight (kg)									
		(in)	(mm)	D	B	C	n	m	G	ds												
SB201-8	CSB201-8	1/2	12	1.5748	0.8661	0.4724	0.2362	0.6300	0.177	10-32	9600	4600	0.11									
SB201	CSB201-8												0.12									
SB202-9	CSB202-9	9/16	15										40	22	12	6	16	4.5	M5*0.8	9600	4600	0.10
SB202-10	CSB202-10	5/8																				0.10
SB202	CSB202	11/16																				0.10
SB203-11	CSB203-11	11/16																				0.09
SB203	CSB203	17																				0.09
SB204-12	CSB204-12	3/4	20	1.850	0.9843	0.5512	0.2760	0.7090	0.1969	1/4-28	12800	6650	0.14									
SB204	CSB204			47	25	14	7	18	5	M6*1			0.13									
SB205-14	CSB205-14	7/8	25	2.0472	1.0630	0.5906	0.2950	0.768	0.1969	1/4-28	14000	7850	0.18									
SB205-15	CSB205-15	15/16											0.17									
SB205-16	CSB205-16	1											0.16									
SB205	CSB205	25											0.16									

SB206-17	CSB206-17	1-1/16											0.28
SB206-18	CSB206-18	1-1/8		2.4409	1.1811	0.6299	0.3150	0.8661	0.1969	1/4-28	19500	11300	0.26
SB206-19	CSB206-19	1-3/16		62	30	16	8	22	5	M6*1			0.25
SB206	CSB206		30										0.25
SB207-20	CSB207-20	1-1/4											0.43
SB207-21	CSB207-21	1-5/16											0.41
SB207-22	CSB207-22	1-3/8		2.8346	1.2598	0.6693	0.3346	0.9252	0.2756	5/16-24	25700	15300	0.38
SB207-23	CSB207-23	1-7/16		72	32	17	8.5	23.5	7	M8*1.0			0.37
SB207	CSB207		35										0.38
SB208-24	CSB208-24	1-1/2											0.58
SB208-25	CSB208-25	1-9/16		3.1496	1.3386	0.7087	0.3543	0.9843	0.3150	5/16-24	29500	18100	0.60
SB208	CSB208		40	80	34	18	9	25	8	M8*1.0			0.60
SB209-26	CSB209-26	1-5/8											0.80
SB209-27	CSB209-27	1-11/16		3.3465	1.6220	0.7480	0.3740	1.2480	0.3150	5/16-24	31600	20600	0.80
SB209-28	CSB209-28	1-3/4		85	41.2	19	9.5	31.7	8	M8*1.0			0.80
SB209	CSB209		45										0.80
SB210-29	CSB210-29	1-13/16											0.80
SB210-30	CSB210-30	1-7/8											0.80
SB210-31	CSB210-31	1-15/16		3.5433	1.7126	0.7874	0.3937	1.3189	0.3937	3/8-24	35000	23200	0.80
SB210-32	CSB210-32	2		90	43.5	20	10	33.5	10	M10*1.0			0.80
SB210	CSB210		50										0.80
SB211-32	CSB211-32	2											1.10
SB211-33	CSB211-33	2-1/16											1.10
SB211-34	CSB211-34	2-1/8		3.9370	1.7835	0.8268	0.4134	1.3701	0.3937	3/8-24	43500	29200	1.10
SB211-35	CSB211-35	2-3/16		100	45.3	21	10.5	34.8	10	M10*1.25			1.10
SB211	CSB211		55										1.10
SB212-36	CSB212-36	2-1/4											1.30
SB212-37	CSB212-37	2-5/16											1.30
SB212-38	CSB212-38	2-3/8		4.3307	2.1142	0.8661	0.4331	1.6811	0.3937	3/8-24	47700	32900	1.30
SB212-39	CSB212-39	2-7/16		110	53.7	22	11	42.7	10	M10*1.25			1.30
SB212	CSB212		60										1.30