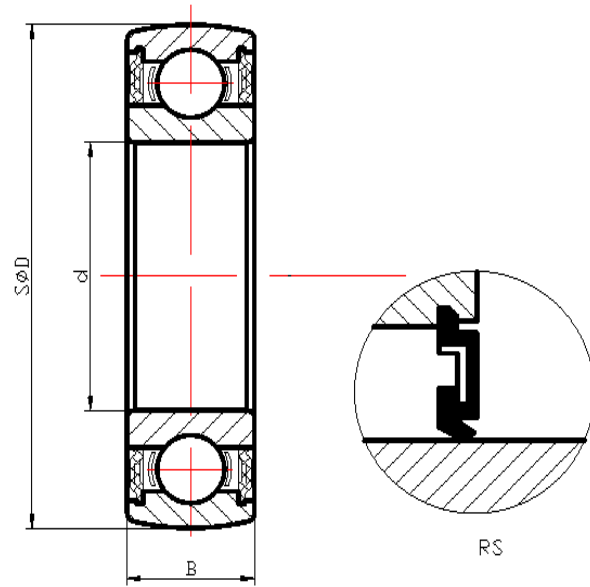


HMS INDUSTRIES

CS200-SERIES

Light Duty



HMS Bearings No.	Dimensionos ^{in.} _{mm}			Dynamic Load Ratings (N)	Static load ratings (N)	Weight (kg)
	d	D	B			
CS200	0.3937 10	1.1811 30	0.3543 9	5100	2230	0.031
CS201	0.4724 12	1.2598 32	0.3937 10	6800	3050	0.033
CS202	0.5906 15	1.378 35	0.4331 11	7600	3490	0.043
CS203	0.6693 17	1.5748 40	0.4724 12	9600	4600	0.061
CS204	0.7874 20	1.8504 47	0.5512 14	12800	6650	0.098

CS205	0.9843 25	2.0473 52	0.5906 15	14000	7850	0.122
CS206	1.1181 30	2.0472 62	0.6299 16	19500	11300	0.195
CS207	1.5748 35	2.8346 72	0.6693 17	25700	15300	0.28
CS208	1.5748 40	3.1496 80	0.7087 18	29500	18100	0.358
CS209	1.7717 45	3.3465 85	0.748 19	31600	20600	0.405
CS210	1.9685 50	3.5433 90	0.7874 20	35000	23200	0.449
CS211	2.1654 55	100 3.937	0.8268 21	43500	29200	0.589
CS212	2.3622 60	4.3307 110	0.8661 22	47700	32900	0.744