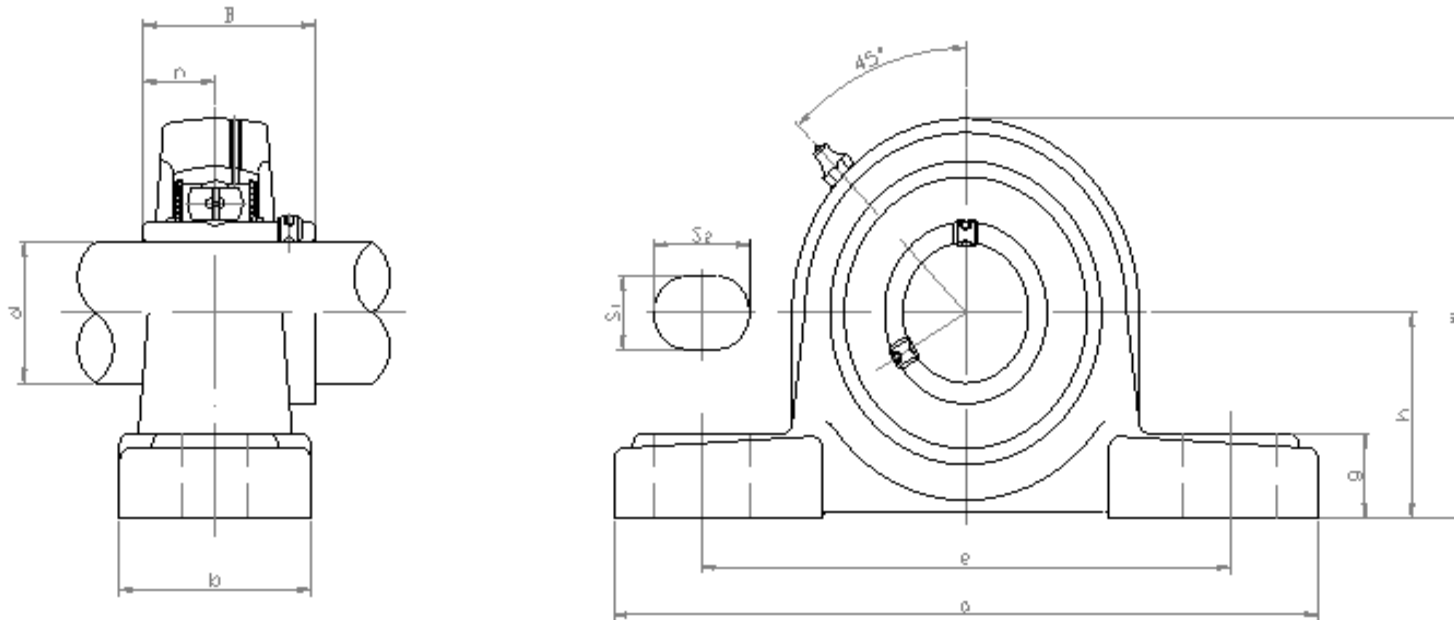


HMS INDUSTRIES

PILLOW BLOCK - SET SCREW TYPE

UCP200-SERIES (SS- prefix represents a stainless steel unit)



HMS Unit No.	Dimensions ^{mm} _{in.}											Bolt Size ^{mm} _{in.}	Bearings No.	Housing No.	Weight(kg)
	d	h	a	e	b	s1	s2	g	w	B	n				
UCP201	12	30.2	127	95	38	13	19	14	62	31	12.7	M10	UC201	SP201	0.69
UCP201-8	1/2	1-3/16	5	3-3/4	1-1/2	1/2	3/4	9/16	2-7/16	1.2205	0.500	3/8	UC201-8		
UCP202	15												UC202	SP202	0.69
UCP202-9	9/16	30.2	127	95	38	13	19	14	62	31	12.7	M10	UC202-9		
UCP202-10	5/8	1-3/16	5	3-3/4	1-1/2	1/2	3/4	9/16	2-7/16	1.2205	0.500	3/8	UC202-10		
UCP203	17	30.2	127	95	38	13	19	14	62	31	12.7	M10	UC203	SP203	0.68
UCP203-11	11/16	1-3/16	5	3-3/4	1-1/2	1/2	3/4	9/16	2-7/16	1.2205	0.500	3/8	UC203-11		0.67
UCP204	20	33.3	127	95	38	13	19	14	65	31	12.7	M10	UC204	SP204	0.66
UCP204-12	3/4	1-5/16	5	3-3/4	1-1/2	1/2	3/4	9/16	2-9/16	1.2205	0.500	3/8	UC204-12		

UCP205	25												UC205		0.81
UCP205-13	13/16												UC205-13		0.85
UCP205-14	7/8	36.5	140	105	38	13	19	15	71	34.1	14.3	M10	UC205-14	SP205	0.83
UCP205-15	15/16	1-7-16	5-1/2	4-1/8	1-1/2	1/2	3/4	19/32	2-25/32	1.3425	0.563		UC205-15		0.82
UCP205-16	1												UC205-16		0.81
UCP206	30												UC206		1.24
UCP206-17	1-1/16												UC206-17		1.27
UCP206-18	1-1/8	42.9	165	121	48	17	20	17	83	38.1	15.9	M14	UC206-18	SP206	1.26
UCP206-19	1-3/16	1-11/16	6-1/2	4-3/4	1-7/8	43/64	25/32	21/32	3-1/4	1.500	0.626	1/2	UC206-19		1.24
UCP206-20	1-1/4												UC206-20		1.23
UCP207	35												UC207		1.58
UCP207-20	1-1/4												UC207-20		1.64
UCP207-21	1-5/16	47.6	167	127	48	17	20	18	93	42.9	17.5	M14	UC207-21	SP207	1.61
UCP207-22	1-3/8	1-7/8	6-9/16	5	1-7/8	43/64	25/32	45/64	3-21/32	1.6890	0.689	1/2	UC207-22		1.58
UCP207-23	1-7/16												UC207-23		1.55
UCP208	40												UC208		1.89
UCP208-24	1-1/2	49.2	18/4	137	54	17	20	18	100	49.2	19	M14	UC208-24	SP208	1.93
UCP208-25	1-9/16	1-15-16	7-1/4	5-13/32	2-1/8	43/64	25/32	45/64	3-15/16	1.9370	0.748	1/2	UC208-25		1.9
UCP209	45												UC209		2.14
UCP209-26	1-5/8	54.0	190	146	54	17	20	20	106	49.2	19	M14	UC209-26	SP209	2.24
UCP209-27	1-11/16	2-1/8	7-15/32	5-3/4	2-1/8	43/64	25/32	25/32	4-11/64	1.9370	0.748	1/2	UC209-27		2.2
UCP209-28	1-3/4												UC209-28		2.14
UCP210	50												UC210		2.66
UCP210-29	1-13/16												UC210-29		2.78
UCP210-30	1-7/8	57.2	206	159	60	20	23	21	113	51.6	19	M16	UC210-30	SP210	2.73
UCP210-31	1-15/16	2-1/4	8-1/8	6-1/4	2-3/8	25/32	29/32	53/64	4-29/64	2.0315	0.748	5/8	UC210-31		2.68
UCP210-32	2												UC210-32		2.64
UCP211	55												UC211		3.31
UCP211-32	2												UC211-32		3.46
UCP211-33	2-1/16	63.5	219	171	60	20	23	23	125	55.6	22.2	M16	UC211-33	SP211	3.4
UCP211-34	2-1/8	2-1/2	8-5/8	6-47/64	2-3/8	25/32	29/32	29/32	4-59/64	2.189	0.874	5/8	UC211-34		3.35
UCP211-35	2-3/16												UC211-35		3.29
UCP212	60												UC212		4.9
UCP212-36	2-1/4												UC212-36		5.03
UCP212-37	2-5/16	69.8	241	184	70	20	23	25	138	65.1	25.4	M16	UC212-37	SP212	4.95
UCP212-38	2-3/8	2-3/4	9-1/2	7-1/4	2-3/4	25/32	29/32	63/64	5-7/16	2.5630	1.000	5/8	UC212-38		4.88

UCP212-39	2-7/16												UC212-39		1.81
UCP213	65												UC213		5.15
UCP213-40	2-1/2	76.2	265	203	70	25	28	27	150	65.1	25.4	M20	UC213-40	SP213	5.24
UCP213-41	2-9/16	3	10-7/16	8	2-3/4	63/64	1-3/32	1-1/16	5-29/32	2.5630	1.000	5/8	UC213-41		6.2
UCP214	70												UC214		6.2
UCP214-42	2-5/8	79.4	266	210	72	25	28	27	156	74.6	30.2	M20	UC214-42	SP214	6.41
UCP214-43	2-11/16	3-1/8	10-15/32	8-17/64	2-27/32	63/64	1-3/32	1-1/16	6-9/64	2.9370	1.189	3/4	UC214-43		6.31
UCP214-44	2-3/4												UC214-44		6.21
UCP215	75												UC215		7.35
UCP215-45	2-13/16												UC215-45		7.45
UCP215-46	2-7/8	82.6	275	217	74	25	28	28	162	77.8	33.3	M20	UC215-46	SP215	7.43
UCP215-47	2-15/16	3-1/4	10-53/64	8-35/64	2-29/32	63/64	1-3/32	1-3/32	6-3/8	3.0630	1.311	3/4	UC215-47		7.21
UCP215-48	3												UC215-48		7.2