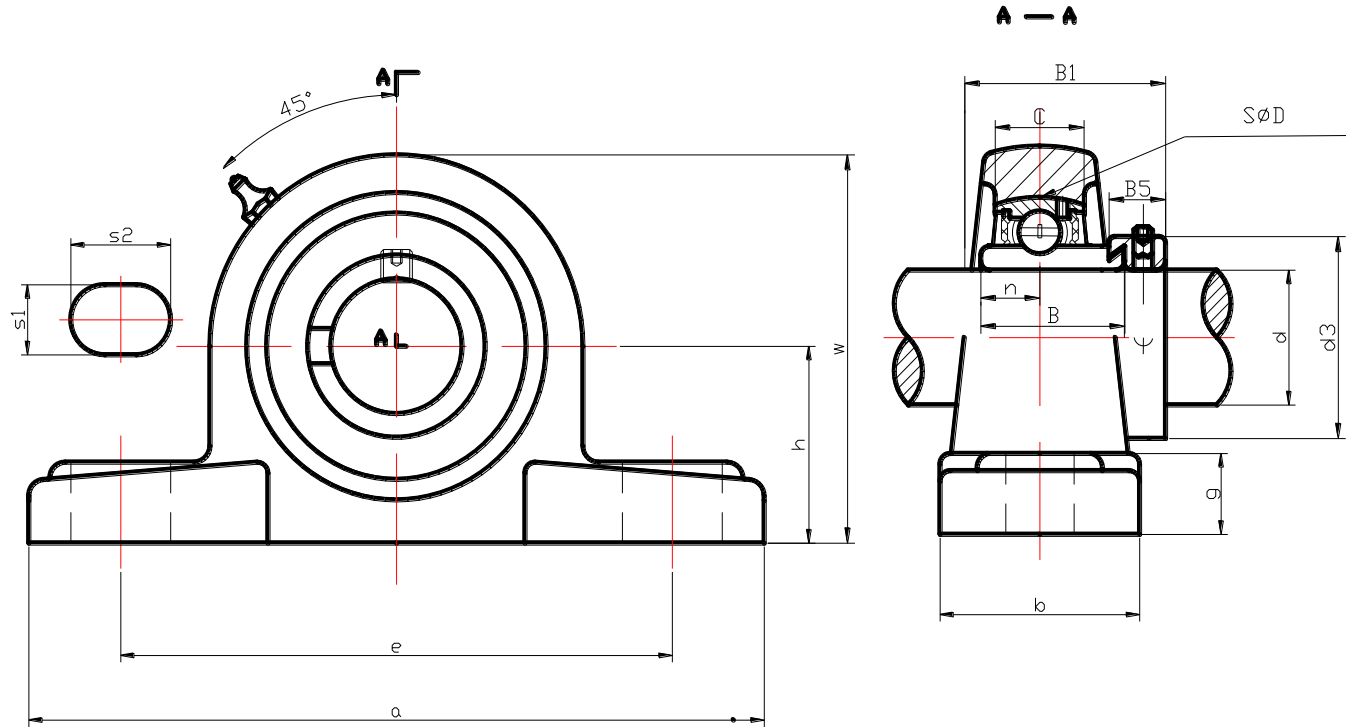


HMS INDUSTRIES

PILLOW BLOCK - ECCENTRIC LOCKING COLLAR TYPE
HCP200-SERIES (SS- prefix represents a stainless steel unit)



HMS Unit No.	Dimensions ^{mm} / _{inch}																Bearing No.	Housing No.	Weight(kg)
	d	h	a	e	b	s1	s2	g	w	B	B1	B5	n	D	ds	d3			
HCP201	12																HC201	SF204	0.72
HCP201-8	1/2																HC201-8		0.70
HCP202	15	30.2	127	95	38	13	19	14	62	34.2	47.3	13.5	17.1	47	M6*1	33.3	HC202		0.68
HCP202-10	5/8	1-3/16	5	3-3/4	1-1/2	1/2	3/4	9/16	2-7/16	1.3465	1.720	0.531	0.673	1.8504	1/4-28UNF	1.311	HC202-10		0.66
HCP203	17																HC203		0.65
HCP203-11	11/16																HC203-11		

HCP204	20	33.3	127	95	38	13	19	14	62	34.2	43.7	13.5	17.1	47	M6*1	33.3	HC204	SF204	0.63
HCP204-12	3/4	1-5/16	5	3-3/4	1-1/2	1/2	3/4	9/16	2-7/16	1.3465	1.720	0.531	0.673	1.8504	1/4-28UNF	1.311	HC204-12		
HCP205	25																HC205	SF205	0.87
HCP205-14	7/8	36.5	140	105	38	13	19	15	71	34.9	44.4	13.5	17.5	52	M6*1	38.1	HC205-14		0.92
HCP205-15	15/16	1-7/16	5-1/2	4-1/8	1-1/2	1/2	3/4	19/32	2-25/32	1.3740	1.748	0.531	0.689	2.00472	1/4-28UNF	1.500	HC205-15		0.91
HCP205-16	1																HC205-16		0.89
HCP206	30																HC206	SF206	1.25
HCP206-17	1-1/16																HC206-17		1.30
HCP206-18	1-1/8	42.9	165	121	45	17	20	17	84	36.5	48.4	15.9	18.3	62	M6*1	43.5	HC206-18		1.27
HCP206-19	1-3/16	1-11/16	6-1/2	4-3/4	1-7/8	43/64	25/32	21/32	3-5/16	1.4370	1.906	0.626	0.720	2.4409	1/4-28UNF	1.7125	HC206-19		1.25
HCP206-20	1-1/4																HC206-20		1.24
HCP207	35																HC207	SF207	1.58
HCP207-20	1-1/4																HC207-20		1.65
HCP207-21	1-5/16	47.6	167	127	48	17	20	18	93	37.6	51.1	17.5	18.8	72	M8*1	53	HC207-21		1.61
HCP207-22	1-3/8	1-7/8	6-9/16	5	1-7/8	43/64	25/32	45/64	3-21/32	1.4803	2.012	0.689	0.740	2.8346	5/16-24UNF	2.0866	HC207-22		1.58
HCP207-23	1-7/16																HC207-23		1.55
HCP208	40	49.2	184	137	54	17	20	18	100	40.5	54	18.3	19	80	M8*1	58	HC208	SF208	1.99
HCP208-24	1-1/12																HC208-24		2.04
HCP208-25	1-9/16	1-15/16	7-1/4	5-13/32	2-1/8	43/64	25/32	45/64	3-15/16	1.5945	2.1260	0.720	0.7480	3.1496	5/16-24UNF	2.2834	HC208-25		2.00
HCP209	45	54	190	146	54	17	20	20	106	40.5	54	18.3	19	85	M8*1	63.5	HC209	SF29	2.32
HCP209-26	1-5/8																HC209-26		2.43
HCP209-27	1-11/16																HC209-27		2.38
HCP209-28	1-3/4																HC209-28		2.34
HCP209-29	1-13/16	2-1/8	7-15/32	5-3/4	2-1/8	43/64	25/32	25/32	4-11/64	1.5945	2.1260	0.720	0.7480	3.3465	5/16-24UNF	2.500	HC209-29		2.32
HCP210	50	57.2	206	159	60	20	23	21	113	49.2	62.7	18.3	24.6	90	M10*1.25	68.5	HC210	SF210	2.61
HCP210-30	1-7/8																HC210-30		2.76
HCP210-31	1-15/16																HC210-31		2.70
HCP210-32	2	2-1/4	8-1/8	6-1/4	2-3/8	25/32	29/32	53/64	4-29/64	1.9370	2.469	0.720	0.969	3.5433	3/8-24UNF	2.6968	HC210-32		2.64
HCP211	55	63.5	219	171	60	20	23	23	125	55.5	71.4	20.7	27.8	100	M10*1.25	76.2	HC211	SF211	3.52
HCP211-32	2																HC211-32		3.72
HCP211-35	2-3/16	2-1/2	8-5/8	6-47/64	2-3/8	25/32	29/32	29/32	4-59/64	2.1850	2.811	0.815	1.094	3.9370	3/8-24UNF	3.00	HC211-35		3.64

HCP212	60	69.8	241	184	70	20	23	25	138	61.9	77.8	22.3	31	110	M10*1.25	83	HC212	SF212	4.62
HCP212-36	2-1/4																HC212-36		4.78
HCP212-39	2-7/16	2-3/4	9-1/2	7-1/4	2-3/4	25/23	29/32	63/64	5-7/16	2.4370	3.063	0.878	1.220	4.3307	3/8-24UNF	3.2677	HC212-39		4.51