

HEMCO Thread Concentricity & Squareness Gages

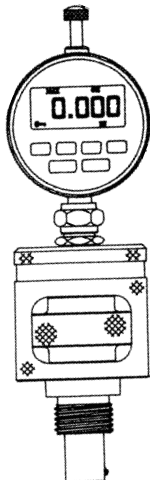
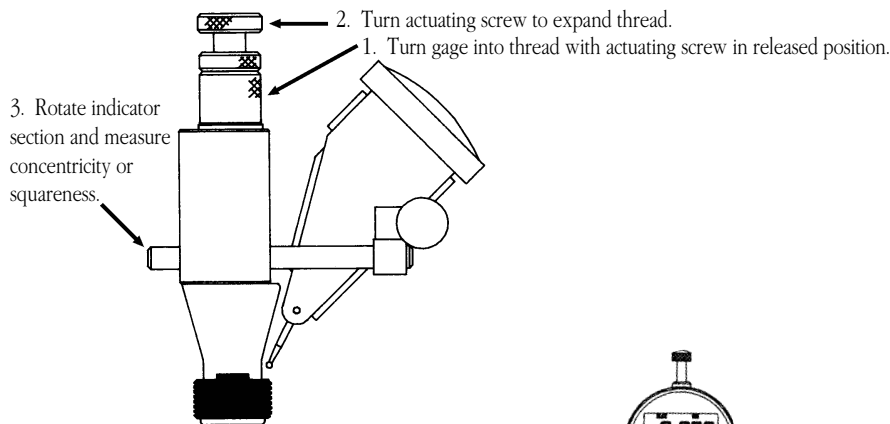
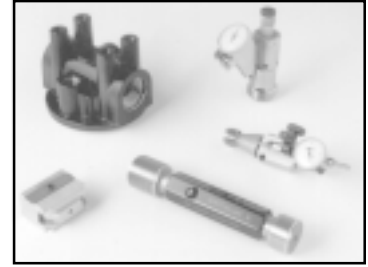
HEMCO

Where to use:

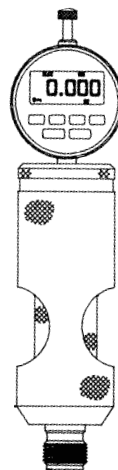
- Check concentricity of chamfers to internal thread.
- Check OD's to internal thread of thin walled parts.
- Check squareness of faces to internal threads.

Features:

- Gage accuracy of .0002".
- HEMCOchrome process for extra wear life and rust resistance.
- Gage establishes a true functional thread axis when the moveable thread segment is advanced into a locking position which centralizes the gage by gripping both flanks of the thread.
- Gages made to check 1/2" and larger threads.
- Smaller thread sizes are available based on application.
- Gages made to special customer applications.
- Fast and easy to use. Just 3 simple steps:



Check T.I.R. of an internal thread to an internal bore.



Check T.I.R. of internal thread to a tapered cone or seat.

Typical Applications:

- ★ SAE Inverted Flare Nuts
- ★ SAE Ports
- ★ Valves with Tapered Seats
- ★ Special Application Engineering
- ★ Available.