

Hand Held & Bench Depth Checking

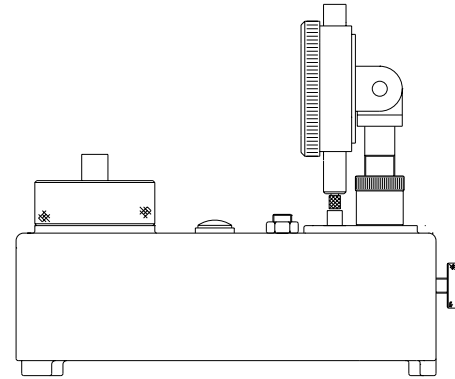
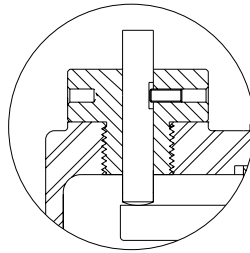
HEMCO

The HEMCO Depth Check Gaging System offers the simplicity and flexibility required in today's manufacturing environment. The stages and tooling are interchangeable between the two gages. Use the bench gage as a stationary gage located in your inspection area or beside the machine. The Hand Held gage can be taken right to the part still fixtured in the machine.

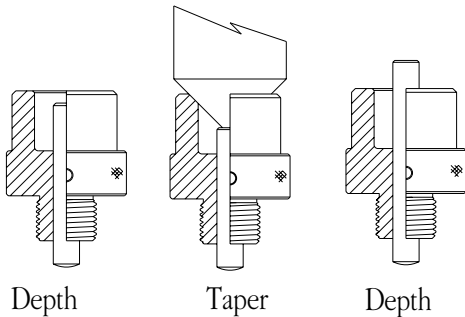
Features:

- Easily mount a variety of anvils from .250" to .500"
- Depth Check - Taper Check - Countersink Check - Groove location.
- Anvils ordered blank or to your exacting specifications.
- Quickly and accurately inspect various product features.
- Lightweight aluminum housing available in Bench or Hand Held models.
- Standard AGD Group 2 dial indicator. Digital indicator optional.

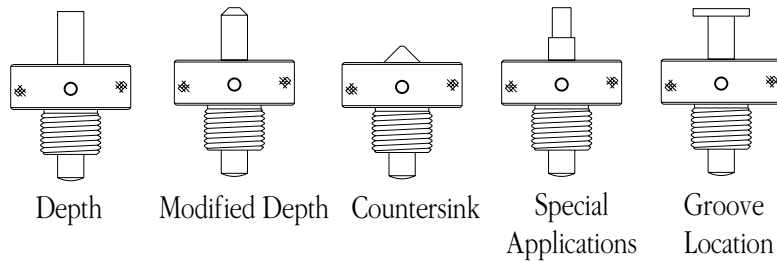
Bench Depth Checking Gage



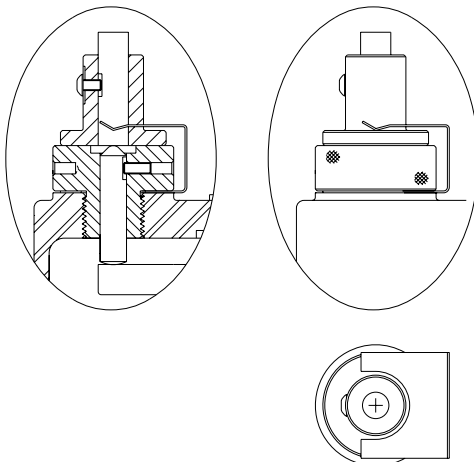
FM Stage for Bench or Hand Held Gages



MS Stages for Bench or Hand Held Gages



Smart Stage & Flush Pins



Hand Held Depth Checking Gage

